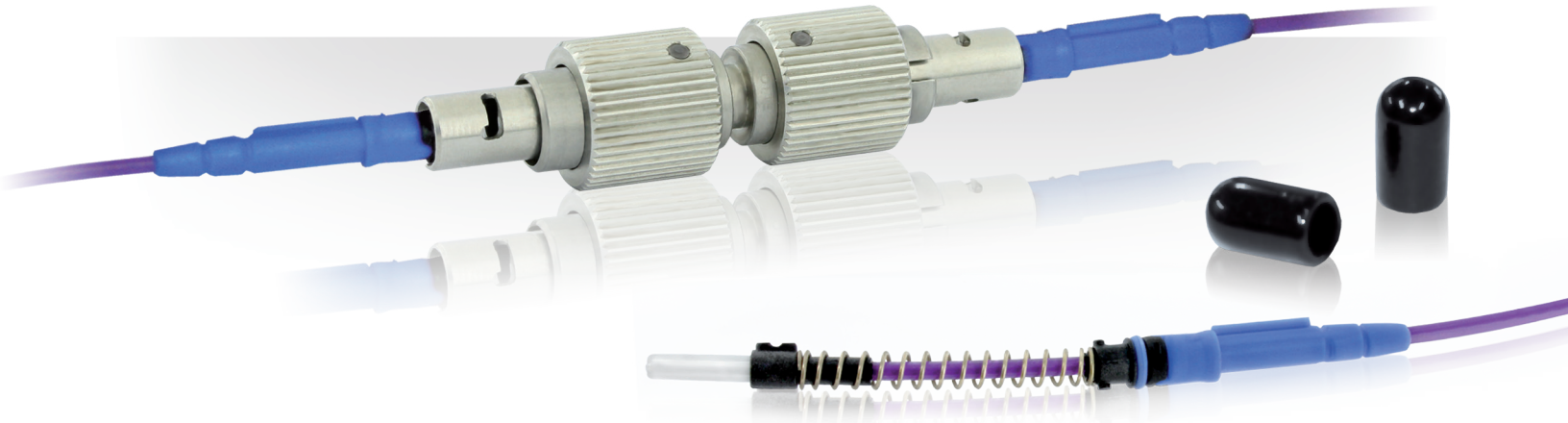


38999 Series, ARINC 600 Series ELIO® Coupler

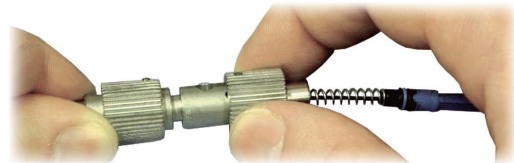


High Precision and User Friendly ELIO® Measurement Tool

This tool is specifically designed to test ELIO® fiber optic links.

Optimum performance ■ Typical optical losses 0.05dB.
Repeatability < 0.03dB.
Long Zirconia alignment sleeve.
1000+ mating cycles.

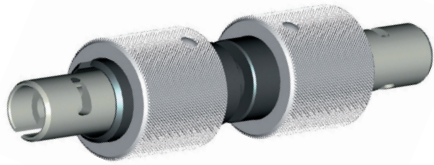
User friendly ■ Bayonet coupling.
Low insertion force.



Just pull on the extraction ring: The contact is removed!

Safe ■ No pull on the cable during contact extraction.

Description

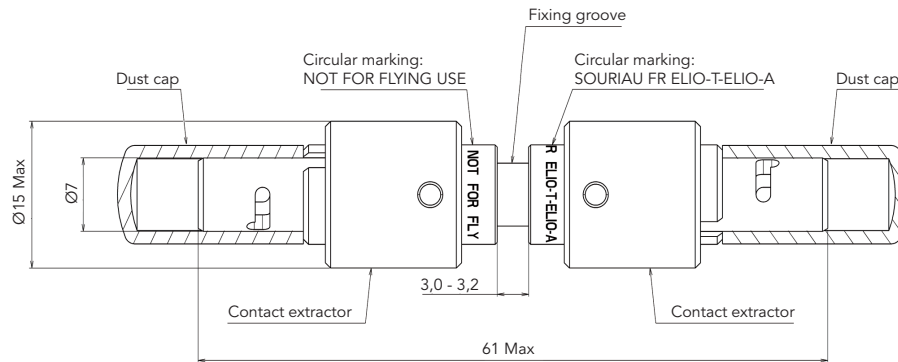


The ELIO® coupler is a tool used to measure optical losses of multimode and singlemode ELIO® jumpers without introducing a bias in the measurement due to the connector's influence and without having to pull on the cable to remove the contact from the tool.

Delivered with dust caps. NOT FOR USE IN FLIGHT.

Part number: ELIO-T-ELIO-A

Dimensions



Note: All dimensions are in millimeters (mm)

Instruction sheet

The operating instructions and the cleaning instructions are described in **BT255A** Instruction sheet. Contact us.

For further information contact us at technical.emear@souriau.com (Europe - Asia - Africa)
technical.americas@souriau.com (North America)
 or visit our web site www.souriau.com